

**RESOLUTION NO. 525  
REPLACING EXHIBIT B OF RESOLUTION R130828**

WHEREAS, on August 28, 2013 the City Council passed Resolution R130828 adopting standards and specifications for streetscapes and the City Council wishes to modify the specifications for street light poles.


WHEREAS, On the 26 day of June, 2019, the City Council did approve this Resolution No. 525.

NOW THEREFORE, BE IT RESOLVED by the City Council of the City of Victor, Idaho, as follows:

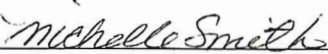
- 1 That the Exhibit B to Resolution R130828 is hereby amended and replaced with the attached Exhibit B.
2. The administrative staff of the City, under the supervision of the City Engineer, is authorized to take all necessary steps to carry out the authorization provided by this Resolution.

Dated this 26 day of June, 2019.

CITY OF VICTOR

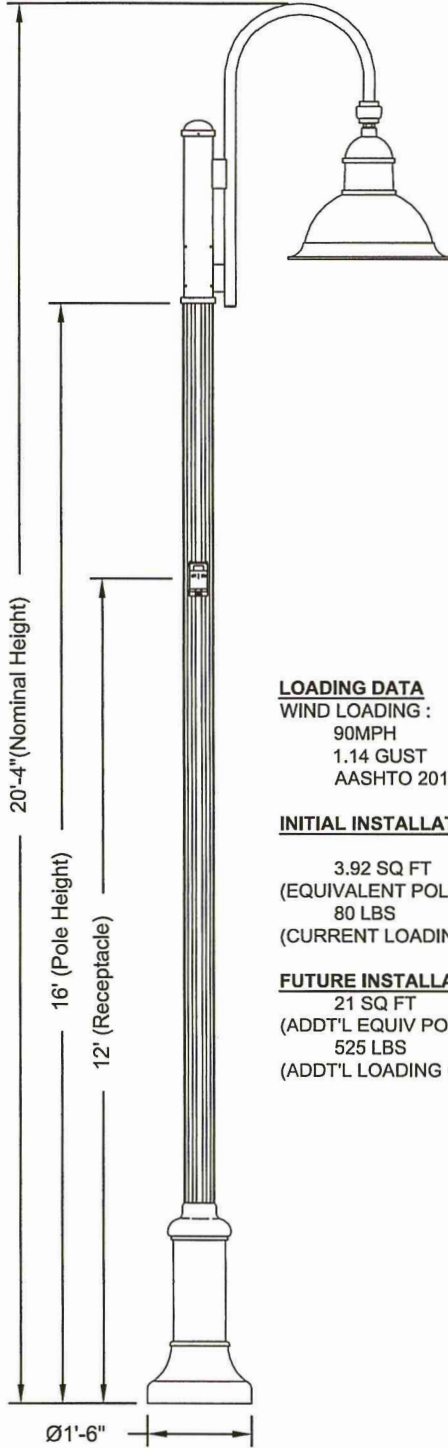
  
 \_\_\_\_\_  
 Jeffrey Potter  
 MAYOR

ATTEST:

  
 \_\_\_\_\_  
 Michelle Smith  
 CITY CLERK



# Specifications



**LOADING DATA**  
 WIND LOADING :  
 90MPH  
 1.14 GUST  
 AASHTO 2013

**INITIAL INSTALLATION:**  
 3.92 SQ FT  
 (EQUIVALENT POLE TOP EPA)  
 80 LBS  
 (CURRENT LOADING WEIGHT)

**FUTURE INSTALLATION:**  
 21 SQ FT  
 (ADDT'L EQUIV POLE TOP EPA)  
 525 LBS  
 (ADDT'L LOADING CAPACITY)

**DESCRIPTION**

The lighting post shall be all aluminum, one-piece construction, with a cast base. The shaft shall be provided with (1) single Cordoba roadway arm and (1) GFI receptacle with small, in-use weatherproof cover.

**MATERIALS**

The base shall be heavy wall, cast aluminum produced from certified ASTM 356.1 ingot per ASTM B-179-95a or ASTM B26-95. The shaft shall be extruded from aluminum, ASTM 6061 alloy. All hardware shall be stainless steel. Anchor bolts to be completely hot dip galvanized.

**CONSTRUCTION**

The shaft shall be double welded to the base casting and shipped as one piece for maximum structural integrity. The shaft shall be welded inside the base casting at the top of the access door, and externally where the shaft exits the base. All welding shall be per ANSI/AWS.

**DIMENSIONS**

The post shall be 16'-0" in height. The shaft diameter shall be 5.75" square. At the top of the post, there shall be a plain pole cap.

**INSTALLATION**

The post use (4), hot dip galvanized L-type anchor bolts. A door shall be provided in the base for anchorage and wiring access. A grounding screw shall be provided inside the base opposite the door.

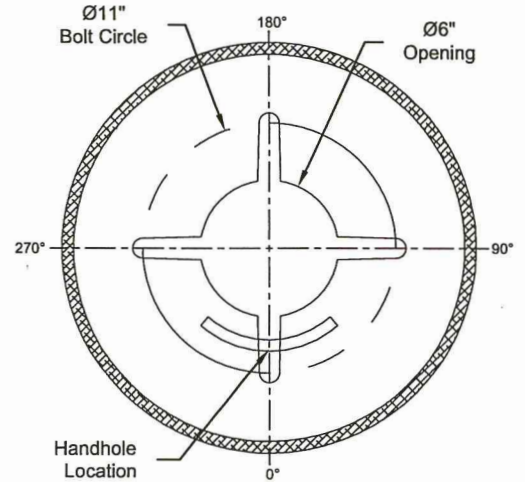
**FINISH**

The entire post assembly shall be standard Holophane black.

**LUMINAIRE**

Provided by others - designed to mount to a male 1-1/2" NPT threaded nipple.

**Anchorage Detail**



DO NOT USE TO SET ANCHOR BOLTS  
 CONTACT CUSTOMER SERVICE FOR TEMPLATE

**Catalog #'s:**

Pole: RHA16L5J18P11GNR144C  
 Anchor Bolts: AB-31-4  
 Roadway Arm: COR30/1-CADGH  
 Receptacle: FGIUS-DGH  
 Fixture/Lamp: EHL22 RT 49LED 525MA 4K GCF R3 MVOLT 1DS ANDG

**Customer Signature**

**Date**



## City of Victor

ORDER #:	TYPE:	DRAWING #:
REVISION:	REVISION DATE:	TSG011477
DRAWN: RAF	ORIGIN DATE: 05/30/19	PAGE: 1 of 1

THIS DRAWING, WHEN APPROVED, SHALL BECOME THE COMPLETE SPECIFICATION FOR THE MATERIAL TO BE FURNISHED BY HOLOPHANE ON THE ORDER NOTED ABOVE. A UNIT OF SIMILAR DESIGN MAY BE SUPPLIED, BUT ONLY AFTER APPROVAL BY THE CUSTOMER IN WRITING. ON POLE ORDERS AN ANCHOR BOLT TEMPLATE PRINT WILL BE SUPPLIED WITH EACH ANCHOR BOLT ORDER TO MATCH THE POLE PROVIDED. THIS PRINT IS THE PROPERTY OF HOLOPHANE AND IS LOANED SUBJECT TO RETURN UPON DEMAND AND UPON EXPRESS CONDITION THAT IT WILL NOT BE USED DIRECTLY OR INDIRECTLY IN ANY WAY DETRIMENTAL TO OUR INTERESTS, AND ONLY IN CONNECTION WITH MATERIAL FURNISHED BY HOLOPHANE.